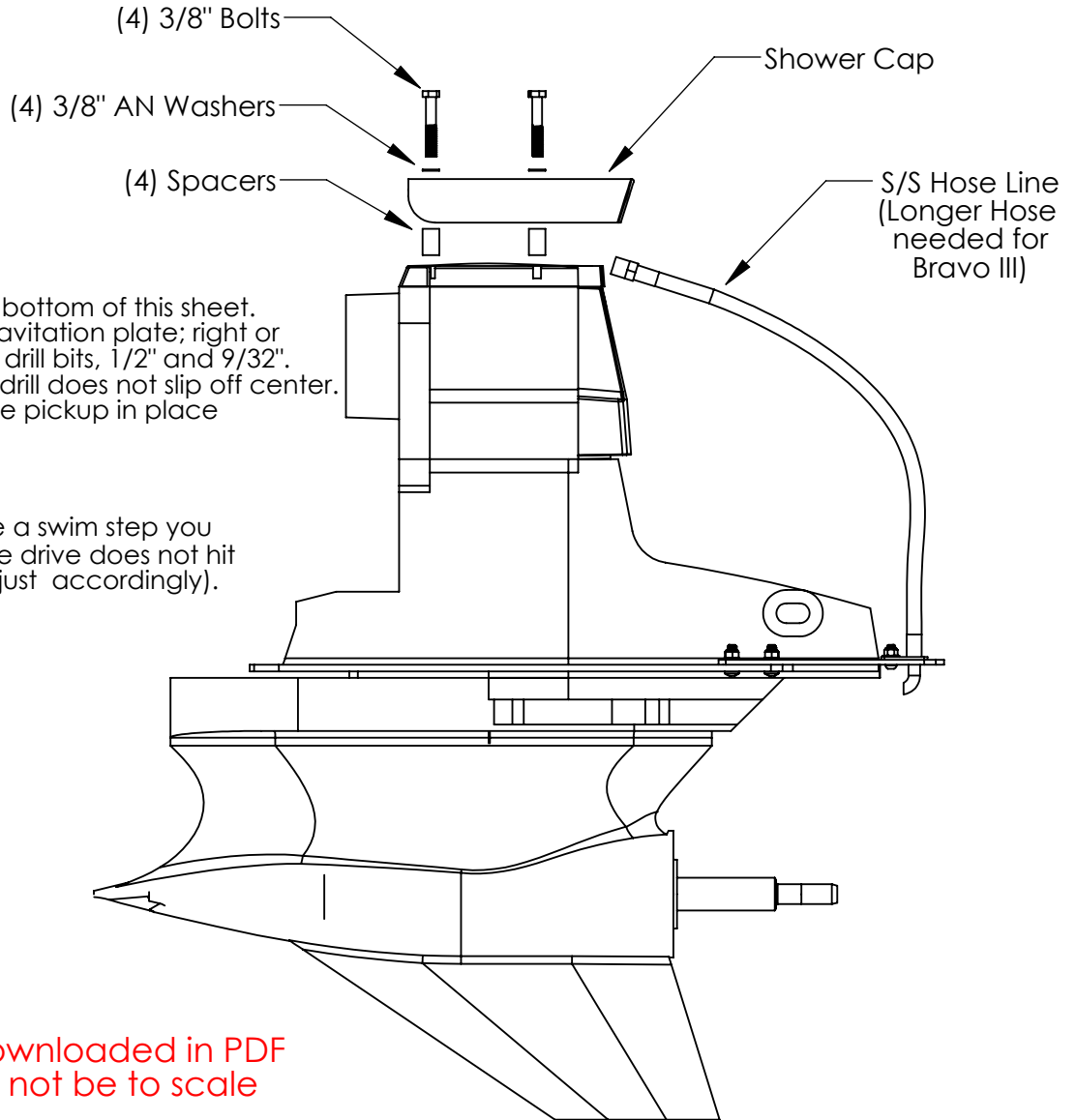


# IMCO

## Bravo Drive Flex Line Showerhead Installation Sheet

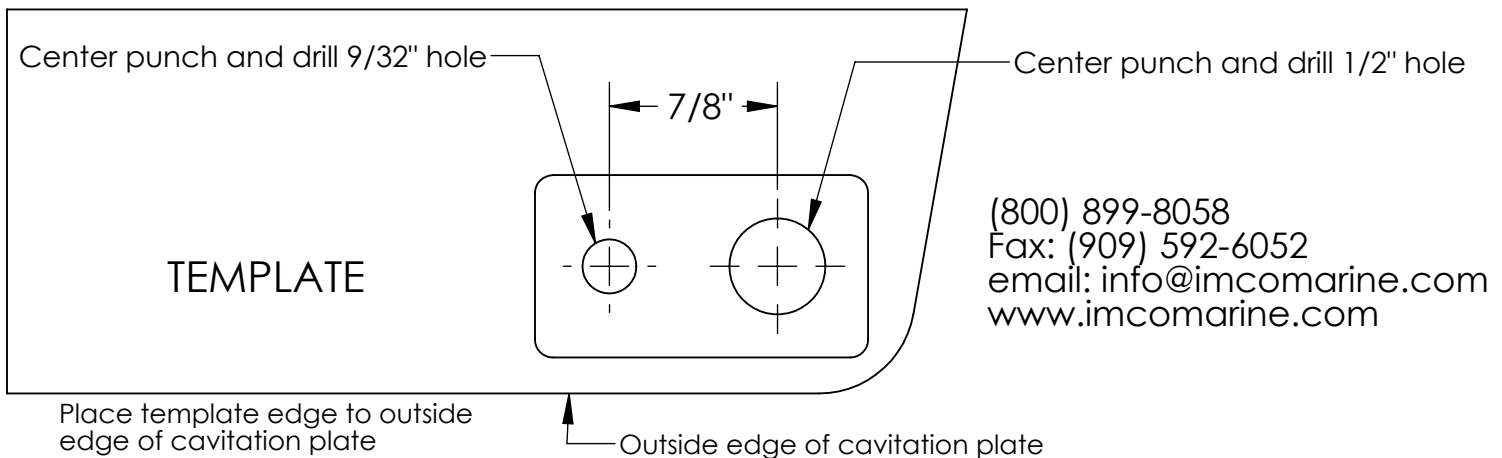
To install the Shower Cap, remove the 4 bolts that are on top cap and place 4 spacers in the recessed holes. Place shower cap on top. Slip new bolts and washers through top of cap; tighten bolts to 30 foot pounds of torque.



Cut out paper template at bottom of this sheet. Tape template on lowest cavitation plate; right or left side. You will need two drill bits, 1/2" and 9/32". Center punch template so drill does not slip off center. Drill holes, and bolt hose line pickup in place

**IMPORTANT!** if you have a swim step you need to check to make sure drive does not hit swim step when raised, (adjust accordingly).

If template is downloaded in PDF format it may not be to scale



(800) 899-8058  
Fax: (909) 592-6052  
email: [info@imcomarine.com](mailto:info@imcomarine.com)  
[www.imcomarine.com](http://www.imcomarine.com)